

EURO GAUGE®
INDUSTRIAL SERVICE PRESSURE GAUGE
MODEL : P252 SERIES

WISE®

SERVICE INTENDED

The P252 Series are suitable for corrosive environment.
 Typical Application include : chemical, petrochemical, refining, power, marine or food industry. Its stainless steel case and cover have good appearance and excellent proof to corrosive & chemical attack.

NOMINAL DIAMETER

63, 80, 100 and 160mm

ACCURACY

Model : P2522(63mm) & P2523(80mm) : 1.6 PER DIN 16 005
 Model : P2524(100mm) & P2526(160mm) :
 1.0 PER DIN 16 005

SCALE RANGE

63 and 80mm : -1 ~ 0 to 0 ~ 1000bar
 100 and 160mm : -1 ~ 0 to 0~1600bar

WORKING PRESSURE

Steady : 75% of Full Scale
 Over Range Protection : 130% of Full Scale

WORKING TEMPERATURE

Ambient : -20~65°C
 Fluid : +200°C maximum

DEGREE OF PROTECTION

IP65



Standard Features

PRESSURE CONNECTION

316SS, OPTION-Monel
 Threaded entry, radial or back.

CASE & BEZEL RING

Stainless Steel 1.4301
 Bayonet Type

MOVEMENT

Stainless Steel 1.4301

ELEMENT

316SS, OPTION-Monel
 Model : P2524(100mm) & P2526(160mm)
 <100bar : C Type Bourdon Tube
 ≥100bar : Helical Type Bourdon Tube
 Model : P2522(63mm), & P2523(80mm)
 <60bar : C Type Bourdon Tube
 ≥60bar : Helical Type Bourdon Tube

WINDOW

63 and 80mm- Glass
 100 and 160mm - Safety Glass

DIAL

White Aluminum with Black Graduations

POINTER

Aluminium alloy, Black painted.
 Zero adjustable pointer

BLOWOUT PROTECTION

Back, Rubber Disc for 80, 100 and 160mm
 Top, Rubber Disc for 63mm

PROCESS CONNECTION

63mm : 1/4" PT, NPT & PF
 80mm : 1/4", 3/8" PT, NPT & PF
 100 and 160mm : 3/8", 1/2" PT, NPT & PF

ORDERING INFORMATION

BASE MODEL

P252 : INDUSTRIAL SERVICE PRESSURE GAUGE

NOMINAL DIAMETER

- 2 : 63mm
- 3 : 80mm
- 4 : 100mm
- 6 : 160mm

MOUNTING TYPE (Refer to Mounting type & Dimension)

- A : Bottom Connection, Direct
- B : Bottom Connection, Surface, Case Mounting Plate
- F : Center back Connection, Direct, Only available with diameter 63mm
- G : Lower back Connection, Direct
- J : Center back Connection, Flush, Cover Mounting Plate, Only available with diameter 63mm
- N : Lower back Connection, Flush, Cover Mounting Plate
- V : Center back Connection, Flush, Cover Mounting Bracket, Only available with diameter 63mm
- W : Lower back Connection, Flush, Cover Mounting Bracket

ACCURACY

- 3 : 1.0 Per DIN16 005, Not available with diameter 63 & 80mm
- 4 : 1.6 Per DIN16 005, Only available with diameter 63 & 80mm

CONNECTION

- C : 1/4", Only available with diameter 63mm
- D : 3/8", Not available with diameter 63mm
- E : 1/2", Not available with diameter 63 & 80mm

CONNECTION TYPE

- B : PF
- C : PT
- D : NPT
- F : BSPT
- G : BSP
- Z : Other

UNIT

- B : kgf/cm²
- H : bar

RANGE

Refer to Pressure Range Table

PRESSURE CONNECTION MAT'L & DIALS

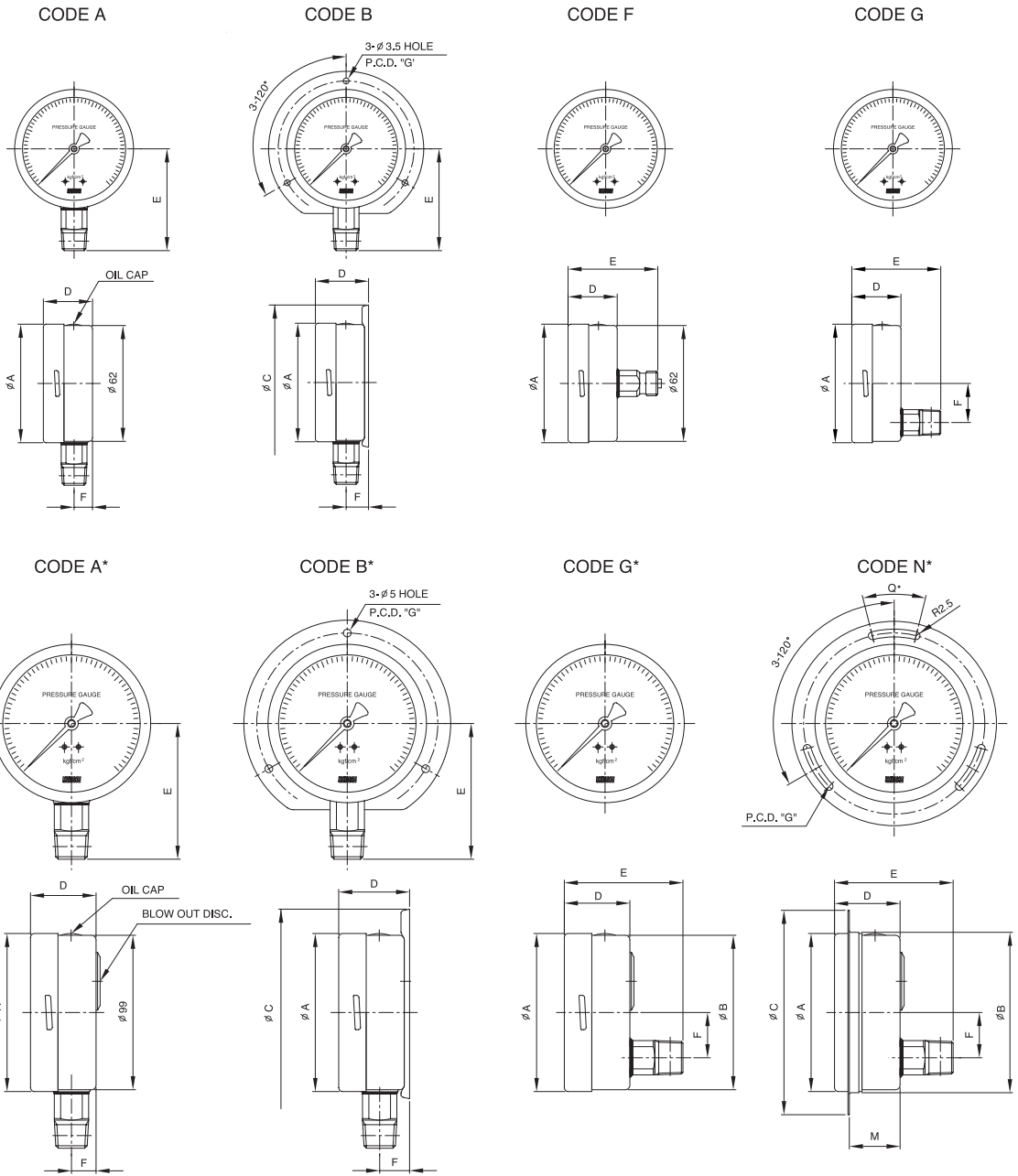
- 3 : 316SS & 2 Colors
- 7 : 316SS & 3 Colors, Available with Compound and Vacuum Gauges
- Z : MONEL

OPTIONS

- 0 : None
- 1 : Accessories

P252	4	A	3	E	D	H	047	3	0	SAMPLE MODEL NUMBER
------	---	---	---	---	---	---	-----	---	---	---------------------

P252-1 : TYPE OF MOUNTING

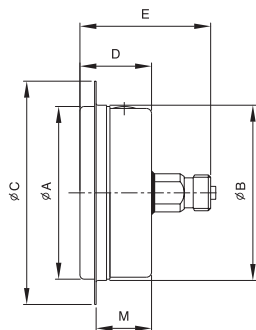
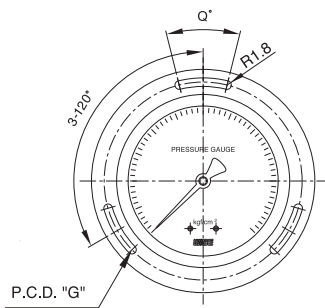


Dimensions (mm)

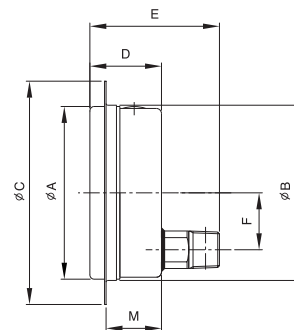
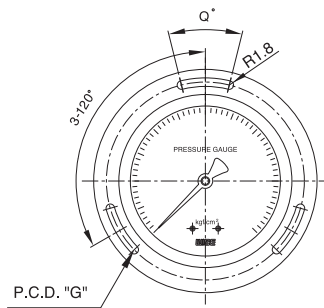
DIAL SIZE	AVAILABLE CODE	A	B	C	D	E	F	M	G	Q
63	A	63.7			33	55.7	11			
	B	63.7		85	37	55.7	15		75	
	F	63.7			33	57				
	G	63.7			33	59	13			
80	A*	81.2			39.5	66.5	12			
	B*	81.2		108	43	66.5	15.5		95	
	G*	81.2			39.5	69.5	22			
	N*	81.2	83.2	108	39.5	69.5	22	35		10
100	A*	101.3			50	83	16			
	B*	101.3		132.5	54.4	83	19.4		116	
	G*	101.3	99		50	83	29			
	N*	101.3	103.1	131	50	83	29	45	116	28
160	A*	160.6			52.5	112	15.8			
	B*	160.6		196	56	112	19.3		178	
	G*	160.6	159		52.5	85.5	51.5			
	N*	160.6	163.6	182	52.5	85.5	51.5	47.5	178	

P252-2 : TYPE OF MOUNTING

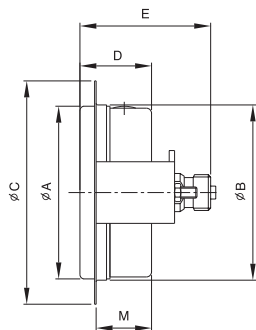
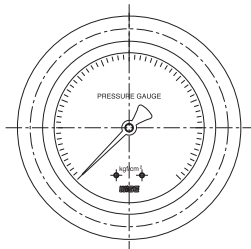
CODE J



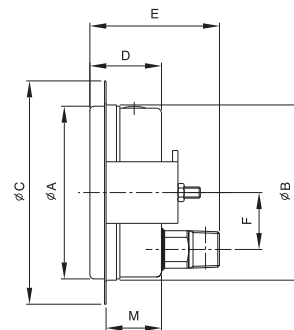
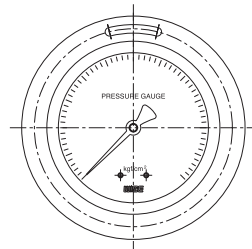
CODE N



CODE V



CODE W



Dimensions (mm)

DIAL SIZE	AVAILABLE CODE	A	B	C	D	E	F	M	G	Q
63	J	63.7	66	86	33	57		28	75	15
	N	63.7	66.2	86	33	57	13	28	75	15
	V	63.7	66	86	33	57		28		
	W	63.7	66.2	86	33	57	13	28		

PRESSURE RANGE TABLE

	SCALE (bar)	63mm	80mm	100mm	160mm	ORDER CODE
VACUUM GAUGE	-1~0	○	○	○	○	026
PRESSURE GAUGE	0~1	○	○	○	○	041
	0~1.6	○	○	○	○	133
	0~2.5	○	○	○	○	134
	0~4	○	○	○	○	044
	0~6	○	○	○	○	045
	0~10	○	○	○	○	047
	0~16	○	○	○	○	143
	0~25	○	○	○	○	052
	0~40	○	○	○	○	151
	0~60	○	○	○	○	056
	0~100	○	○	○	○	058
	0~160	○	○	○	○	060
	0~250	○	○	○	○	062
	0~400	○	○	○	○	065
	0~600	○	○	○	○	067
	0~1000	○	○	○	○	070
0~1600	×	×	○	○	074	
COMPOUND GAUGE	-1~1.5	○	○	○	○	007
	-1~3	○	○	○	○	029
	-1~5	○	○	○	○	010
	-1~9	○	○	○	○	014
	-1~15	○	○	○	○	033

○ : AVAILABLE × : NOT AVAILABLE

Note : If required kg/cm² Scale Unit, Please refer to the "P220 Series Pressure Range Table".

CONVERSION TABLE

PRESSURE CONVERSION CHART

PSI	ATM	kg/cm ²	in.H ₂ O	mmHg	in.Hg	kPa	Bar	mmH ₂ O
1	0.068046	0.070307	27.7276	51.715	2.03602	6.895	0.06895	704.28104
14.696	1	1.0332	407.484	760	29.921	101.325	1.01325	10350.0936
14.2233	0.96784	1	394.38	735.559	28.959	98.096	0.98067	10000
0.036092	0.002454	0.00253	1	1.8651	0.07343	0.249	0.00249	25.4
0.019336	0.001315	0.001359	0.53616	1	0.03937	0.1333	0.001333	13.618464
0.491154	0.0033421	0.03453	13.6185	25.4	1	3.3864	0.033864	345.9099
0.145	0.00987	0.010197	4.0186	7.5006	0.2953	1	0.01	102.07244
14.5038	0.98692	1.01972	402.156	750.062	29.53	100	1	10214.7624
0.00142	0.000097	0.0001	0.03937	0.0734	0.0029	0.0098	0.000098	1

VOLUME CONVERSION CHART

GALLON (U.S)	CUBIC FEET	CUBIC INCHES	BARRELS (OIL)	CUBIC CM	CUBIC METER	LITER	IMP. GALLON
1	0.1337	231	0.02381	3785	0.003785	3.785	0.8327
7.481	1	1728	0.1781	28320	0.02832	28.32	6.229
0.004329	0.000578	1	0.000103	16.39	0.000016	0.01639	0.003605
42	5.615	9702	1	159000	0.159	158.94	34.97
0.000264	0.000035	0.06102	0.000006	1	0.000001	0.001	0.00022
264.17	35.3144	61023	6.2906	1000000	1	1000	220.1
0.264	0.0353	61.03	0.0629	1000	0.001	1	0.22
1.201	0.1606	277.4	0.0286	4546	0.004546	4.546	1

MASS CONVERSION CHART

lb.	oz.	kg	gm	gal H ₂ O (32F)	long ton	metric tonne	ton
1	16	0.4536	453.6	0.1198	0.000446	0.000453	0.0005
0.0625	1	0.02835	28.35	0.00749	0.000027	0.000028	0.000031
2.205	35.27	1	1000	0.2642	0.009839	0.001	0.001102
0.002205	0.03527	0.001	1	0.000264	0.000000	0.000001	0.000001
8.345	133.5	3.785	3785	1	0.003726	0.003786	0.004171
2240	35840	1016.4	1016363	268.352	1	1.016	1.12
2204.6	35273	1000	1000000	264.11	0.9842	1	1.1023
2000	32000	907.03	909090.9	239.7	0.892857	0.907194	1

DENSITY CONVERSION CHART

lb/ft ³	gm/cm ³	kg/m ³	lb/in ³
1	0.016018	16.0184	0.000578
62.43	1	1000	0.03613
0.06243	0.001	1	0.000036
1728	27.68	27679.8	1