



## Servo-assisted 2/2 way piston valve

- Servo-assisted and compact piston valve with diameter of up to DN13
- Vibration-resistant, screwed coil system
- Increased leak-tightness with welded plunger guiding tube
- Safe opening with hard-coupled piston system
- Explosion proof versions

Type 6240 can be combined with...



**Type 2508**  
Cable Plug

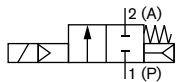


**Type 2513**  
Cable Plug  
(ATEX cat. 3 GD)

The 6240 valve is a servo-assisted piston valve. The stopper and plunger guiding tube are welded together to enhance pressure resistance and leak-tightness. Various seal material combinations are available depending on the application. The housing design and surface quality enable maximum flow rates. The coils are moulded with chemically resistant epoxy. An optional sliding ring bearings increases the life cycle with dry gases. In combination with a plug in accordance with DIN EN 175301-803 Form A, the valves satisfy protection class IP65. Stainless steel valves satisfy NEMA 4X.

| Technical data               |   |
|------------------------------|---|
| <b>Port connections</b>      | G ¼, G ¾, G ½ (NPT and Rc on request), Steam version DN13 also in G ¾   |
| <b>Orifice</b>               | DN6, DN12, Steam version DN13   |
| <b>Body material</b>         | Brass, Stainless steel  |
| <b>Coil material</b>         | Epoxy   |
| <b>Coil insulation class</b> | Class H   |
| <b>Mediums</b>               | Neutral gases and liquids, such as e.g. compressed air, water, hydraulic oil, steam and hot mediums   |
| High temp. version           |   |
| <b>Viscosity</b>             | max. 21 mm <sup>2</sup> /sec  |
| <b>Ambient temp.</b>         | max. 55 °C  |
| <b>Voltage tolerance</b>     | ±10 %   |
| <b>Duty cycle</b>            | 100 % continuous rating   |
| <b>Elec. connection</b>      | Tag connector acc. DIN EN 175 301-803 Form A for cable plug Type 2508 (see ordering chart for accessories)  |
| <b>Protection class</b>      | IP65 with cable plug, ATEX/IECEx junction box version and cable connection version NEMA 4x with cable plug 2508 or 2509 only for stainless steel versions (other versions on request) |
| <b>Installation</b>          | As required, preferably with actuator upright   |

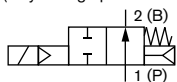
### Circuit function A



2/2 way servo-controlled solenoid valve,  
normally closed

### Circuit function B

(only for high pressure variant DN12 MX32 see p. 11)



2/2 way servo-controlled solenoid valve,  
normally open

| Response times     |              |              |
|--------------------|--------------|--------------|
| Version            | Opening [ms] | Closing [ms] |
| Standard DN6       | 10-20        | 40-50        |
| Standard DN12      | 20-40        | 80-100       |
| Steam version DN13 | 80-100       | 200-300      |
| High pressure MX3* | 100-200      | 300-500      |

**Response times [ms]:**

Measured at the outlet with 6 bar inlet pressure at 20 °C

Opening: Pressure build-up 0 to 90 %

Closing: Pressure decrease 100 to 10 %

| Seal material combination and medium temperature<br>Seat seal/external seal |                   |                                   |                  |
|---|-------------------|-----------------------------------|------------------|
| Standard  |                   | Special version                   |                  |
| FKM/FKM   | -10 °C to +140 °C | <b>Steam version DN13</b>         |                  |
| EPDM/EPDM   | -30 °C to +120 °C | FKM/FKM                           | 0 °C to +140 °C  |
| PTFE/FKM  | -10 °C to +140 °C | <b>Approval DIN EN 161 (PO17)</b> |                  |
|   |                   | NBR/NBR (PO17)                    | -10 °C to +80 °C |
| Standard high temperature   |                   | High pressure version MX31 & MX32 |                  |
| PTFE/PEEK DN6   | -40 °C to +180 °C | PCTFE/FKM                         | -10 °C to +80 °C |
| PTFE/PEEK DN12  | -40 °C to +140 °C | PCTFE/EPDM                        | -30 °C to +80 °C |

| Coil size<br>[mm] | AC             |      |      | DC          |             | ATEX/IECEX AC/DC<br>Nominal power<br>[W] | KD-Coil AC/DC        |             |                     |
|-------------------|----------------|------|------|-------------|-------------|--|----------------------|-------------|---------------------|
|                   | Inrush<br>[VA] | Hold |      | Cold<br>[W] | Warm<br>[W] |  | Cold                 |             | Warm<br>Hold<br>[W] |
|                   |                | [VA] | [VA] |             |             | [W]                                      | Inrush<br>[W] 500 ms | Hold<br>[W] |                     |
| 32 (5)            | 32             | 18   | 8    | 12          | 10          | -  | -                    | -           | -                   |
| 40 (6)            | 40             | 23   | 10   | 14          | 12          | 9  | -                    | -           | -                   |
| 42 (K)            | 150            | 37   | 16   | 21          | 16          | 12                                       | 85                   | 8.5         | 7                   |
| 65 (L)            | -              | -    | -    | 28          | 21          | 20                                       | -                    | -           | -                   |

**KD coil AC/DC**

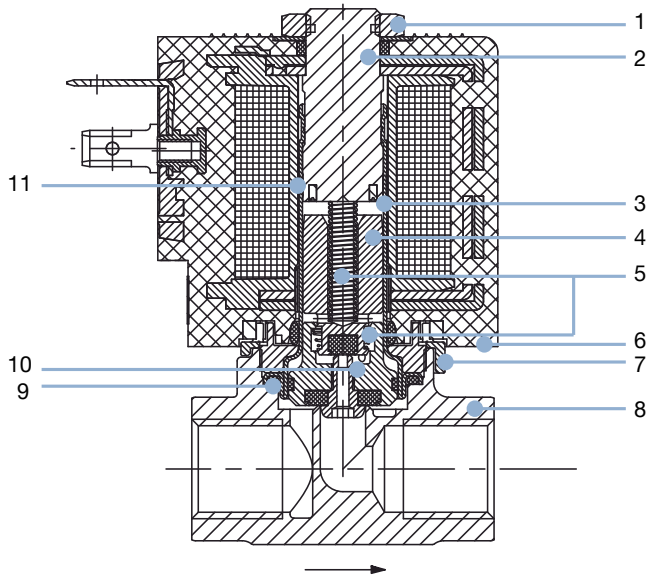
"Kick and Drop" coil (KD coil): Integrated electronics for short-term power increase and reduction in dual coil technology

## Content

|  |           |
|--|-----------|
| <b>Standard version</b>  | <b>4</b>  |
| Materials Standard version   | 4         |
| Dimensions Standard version [mm]   | 4         |
| Ordering chart Standard version  | 5         |
| Ordering chart High temperature version  | 5         |
| Ordering chart Increased pressure range MW06                                     | 5         |
| <b>Approval DIN EN 161 (PO17) version</b>  | <b>5</b>  |
| Materials and dimensions - see Standard version                                  | 5         |
| Ordering chart DIN EN 161 Automatic shut-off valves for gas burners version      | 5         |
| <b>Steam NA67 version</b>  | <b>6</b>  |
| Materials DN13 version   | 6         |
| Dimensions DN13 version [mm]   | 6         |
| Ordering chart Steam version NA67  | 7         |
| <b>High pressure version MX31 &amp; MX32</b>                                     | <b>7</b>  |
| Materials DN6  | 7         |
| Materials DN12   | 8         |
| Dimensions DN6 [mm]  | 9         |
| Dimensions DN12 [mm]   | 10        |
| Ordering chart High pressure version DN6 - pressure rating up to 160 bar (MX31)  | 10        |
| Ordering chart High pressure version DN6 - pressure rating up to 250 bar (MX32)  | 10        |
| Ordering chart High pressure version DN12 - pressure rating up to 250 bar (MX32) | 11        |
| <b>Block solution for car wash applications 8820-6240</b>                        | <b>12</b> |
| Dimensions solution for self-service car wash 160 bar (MX31)                     | 12        |
| Ordering chart solution for self-service car wash 160 bar (MX31)                 | 13        |
| <b>ATEX-IECEX version PX23, PX38 &amp; PX39</b>                                  | <b>14</b> |
| Dimensions PX23, PX38 & PX39 version [mm]  | 14        |
| Ordering chart Standard version – ATEX/IECEX with 3 m cable                      | 15        |
| Ordering chart High pressure version – ATEX/IECEX with 3 m cable                 | 15        |
| Ordering chart Standard version – ATEX/IECEX terminal box                        | 15        |
| Ordering chart High pressure version – ATEX/IECEX terminal box                   | 16        |
| <b>Ordering chart for accessories</b>  | <b>16</b> |
| Cable plug Type 2508 according to DIN EN 175301-803 Form A                       | 16        |
| Cable plug Type 2513 acc. to DIN EN 175301-803, Form A                           | 16        |
| Ex-Cable glands  | 17        |
| Special tool to turn the junction box  | 17        |

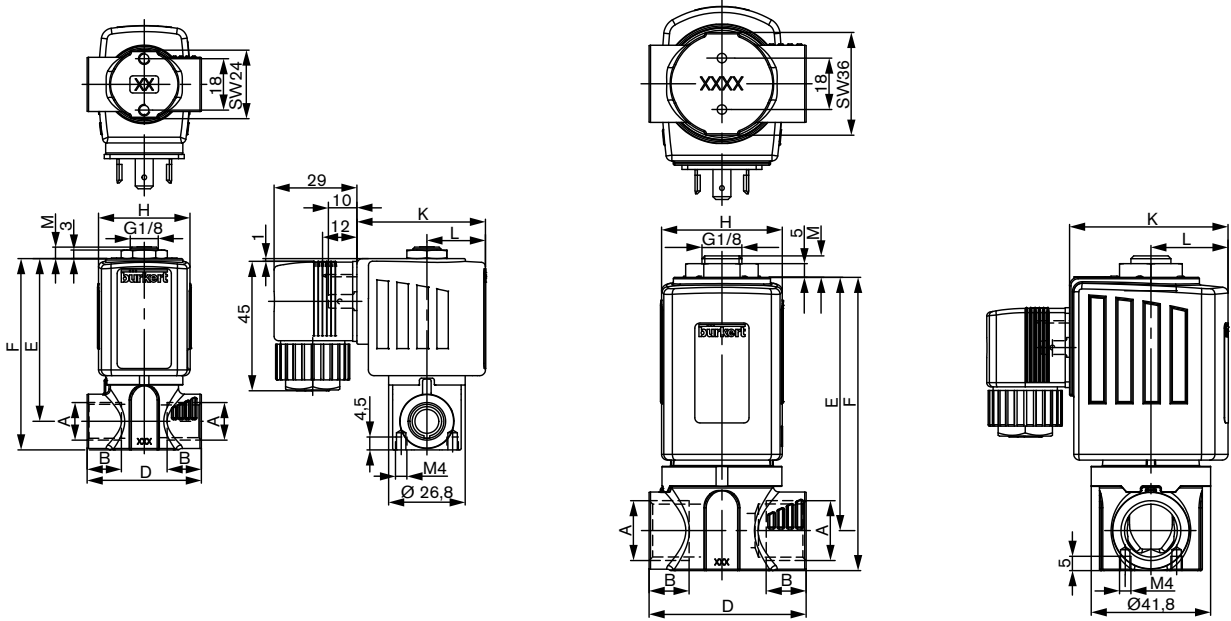
Standard version

Materials Standard version



| Nr. | Element              | Material   |
|-----|----------------------|--|
| 1   | Nut                  | Steel (surface finish thick film passivated) (Brass version)<br>Stainless steel 1.4305 PTFE (Stainless steel version)  |
| 2   | Stopper              | 1.4113   |
| 3   | Armature guide tube  | 1.4303   |
| 4   | Guide ring           | PTFE carbon filled   |
| 5   | Springs              | 1.4310   |
| 6   | Coil                 | Epoxy  |
| 7   | Safety lock          | PPS  |
| 8   | Body                 | Brass/stainless steel 1.4404 (316L)  |
| 9   | Seal facing outwards | FKM/EPDM/PEEK (high temperature version)   |
| 10  | Piston consists of   | Brass/stainless steel 1.4305<br>Stainless steel<br>PEEK<br>PTFE carbon filled<br>FKM/EPDM/PTFE (PTFE for high temperature and PTFE/FKM for high pressure versions) |
| 11  | Shading ring         | copper/silver  |

Dimensions Standard version [mm]



| A                    | DN   | B    | D    | E    | F     | M    | H    | K    | L    | Weight |
|----------------------|------|------|------|------|-------|------|------|------|------|--------|
| Body connection      | [mm] | [mm] | [mm] | [mm] | [mm]  | [mm] | [mm] | [mm] | [mm] | [g]    |
| <b>Threaded port</b> |      |      |      |      |       |      |      |      |      |        |
| G ¼                  | 6    | 12   | 40   | 57.3 | 67.3  | 3.7  | 32   | 45.0 | 20.5 | 304    |
| G ¼                  | 6    | 12   | 40   | 57.3 | 67.3  | 3.7  | 40   | 51.0 | 23.5 | 382    |
| G ¾                  | 6    | 12   | 50   | 58.3 | 70.3  | 3.7  | 32   | 45.0 | 20.5 | 346    |
| G ¾                  | 6    | 12   | 50   | 58.3 | 70.3  | 3.7  | 40   | 51.0 | 23.5 | 424    |
| G ½                  | 12   | 12   | 55   | 89.0 | 103.0 | 7.5  | 42   | 55.5 | 27.0 | 800    |

## Ordering chart Standard version

| Circuit function                                | Port connection             | Orifice [mm] | K <sub>v</sub> value water (m <sup>3</sup> /h) | Pressure range [bar] | Coil size [mm] | Article no. acc. to voltage/frequency [V/Hz] |        |        |
|---|-----------------------------|--------------|--|----------------------|----------------|--|--------|--------|
|   |                             |              |  |                      |                | 24/DC  | 24/50  | 230/50 |
| <b>G internal thread, seal material FKM/FKM</b> |                             |              |  |                      |                |  |        |        |
| A<br>2/2 way valve<br>NC                        | <b>Brass body</b>           |              |  |                      |                |  |        |        |
|   | G ¼                         | 6.0          | 0.6  | 0-16                 | 32             | 177800                                       | 177801 | 177802 |
|   | G ⅜                         | 6.0          | 0.6  | 0-16                 | 32             | 177803                                       | 177804 | 177805 |
|   | <b>Stainless steel body</b> |              |  |                      |                |  |        |        |
|   | G ¼                         | 6.0          | 0.6  | 0-16                 | 32             | 177806                                       | 177807 | 177808 |
|   | G ½                         | 12.0         | 2.2  | 0-16                 | 42             | 238632                                       | 238633 | 238634 |

Other versions with alternative voltages, NPT or RC internal thread, seal material EPDM/EPDM available on request.

## Ordering chart High temperature version

| Circuit function  | Port connection                          | Orifice [mm] | K <sub>v</sub> value water (m <sup>3</sup> /h) | Pressure range [bar] | Coil size [mm] | Article no. acc. to voltage/frequency [V/Hz] |        |        |
|---|--|--------------|--|----------------------|----------------|--|--------|--------|
|   |  |              |  |                      |                | 24/DC  | 24/50  | 230/50 |
| <b>G internal thread, stainless steel body, seal material PTFE/PEEK</b> |  |              |  |                      |                |  |        |        |
| A<br>2/2 way valve NC   | <b>Medium temperature -40 to +180 °C</b> |              |  |                      |                |  |        |        |
|   | G ¼                                      | 6.0          | 0.6  | 0-16                 | 32             | 184739                                       | 184740 | 184741 |
|   | <b>Medium temperature -40 to +140 °C</b> |              |  |                      |                |  |        |        |
|   | G ½                                      | 12.0         | 2.2  | 0-25                 | 42             | 238638                                       | 238639 | 238640 |

Other versions with alternative voltages, NPT or RC internal thread on request.

## Ordering chart Increased pressure range MW06

| Circuit function   | Port connection | Orifice [mm] | K <sub>v</sub> value water (m <sup>3</sup> /h) | Pressure range [bar] |       | Coil size [mm] | Article no. acc. to voltage/frequency [V/Hz] |        |        |
|--|-----------------|--------------|--|----------------------|-------|----------------|--|--------|--------|
|  |                 |              |  | liquids              | gases |                | 24/DC  | 24/50  | 230/50 |
| <b>G internal thread, brass body, seal material PTFE/FKM</b> |                 |              |  |                      |       |                |  |        |        |
| A<br>2/2 way valve NC  | G ¼             | 6.0          | 0.6  | 0-25                 | 0-40  | 40             | 184742                                       | 184743 | 184744 |
|  | G ⅜             | 6.0          | 0.6  | 0-25                 | 0-40  | 40             | 184745                                       | 184746 | 184747 |

Other versions with alternative voltages, NPT or RC internal threads are available on request.

**Note:**

Please note that the cable plug must be ordered separately, see ordering chart for accessories and separate data sheet for Type 2508.

## Approval DIN EN 161 (PO17) version

## Materials and dimensions - see Standard version

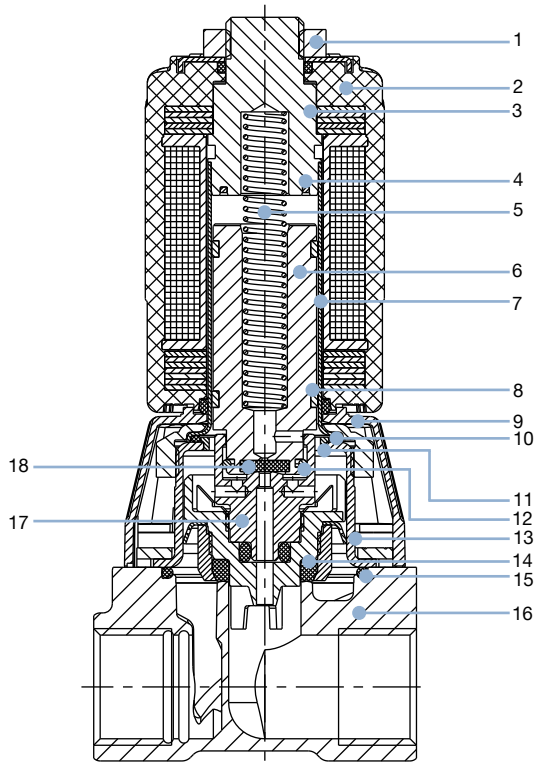
## Ordering chart DIN EN 161 Automatic shut-off valves for gas burners version

| Circuit function             | Port connection | Orifice [mm] | K <sub>v</sub> value water (m <sup>3</sup> /h) | Max. medium pressure [bar] gas | Body material   | Coil size [mm] | Article no. acc. to voltage/frequency [V/Hz] |            |        |
|------------------------------|-----------------|--------------|--|--------------------------------|-----------------|----------------|--|------------|--------|
|                              |                 |              |  |                                |                 |                | 24/DC  | 24/50      | 230/50 |
| <b>Seal material NBR/NBR</b> |                 |              |  |                                |                 |                |  |            |        |
| A<br>2/2 way valve NC        | G ¼             | 6.0          | 0.6  | 0-16                           | Brass           | 32             | 253501                                       | on request | 287855 |
|                              | G ½             | 12.0         | 2.2  | 0-16                           | Stainless steel | 42             | 253502                                       | on request | 287438 |

Other versions with alternative voltages, housing material and connection combinations are possible.

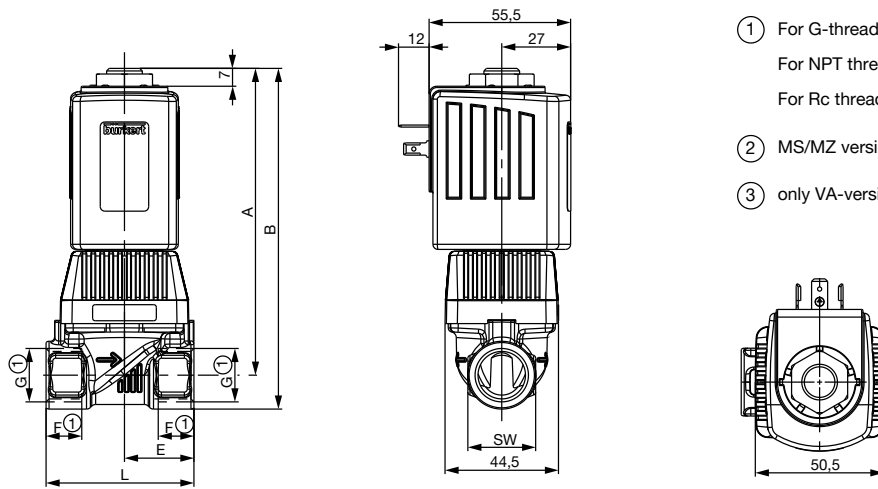
Steam NA67 version

Materials DN13 version



| No. | Element         | Material                             |
|-----|-----------------|--------------------------------------|
| 1   | Nut             | 1.4305                               |
| 2   | Coil            | Epoxy                                |
| 3   | Stopper         | 1.4105                               |
| 4   | Shading ring    | Silver                               |
| 5   | Spring          | 1.4310                               |
| 6   | Core            | 1.4113                               |
| 7   | Guide tube      | 1.4303                               |
| 8   | Glide ring      | PTFE coal filled                     |
| 9   | Cover           | PA6                                  |
| 10  | Seal            | FKM                                  |
| 11  | Support ring    | PPS Fortron                          |
| 12  | Coupling ring   | PEEK                                 |
| 13  | Holding cap     | 1.4301                               |
| 14  | Seat gasket     | FKM                                  |
| 15  | Outer seal      | FKM                                  |
| 16  | Body            | Brass, Stainless steel 1.4408        |
| 17  | Piston coupling | 1.4401, PPS Fortron, PTFE, PEEK, FKM |
| 18  | Core seal       | FKM                                  |

Dimensions DN13 version [mm]



- ① For G-thread sizes F1 and G1 apply.  
For NPT threads sizes F2 and G2 apply.  
For Rc threads sizes F3 and G3 apply
- ② MS/MZ version only
- ③ only VA-version

| DN | A      | B      | E     | F1 | G 1 | F2   | G 2   | F3   | G 3  | L  | SW |
|----|--------|--------|-------|----|-----|------|-------|------|------|----|----|
| 13 | 120.35 | 133.85 | 27.25 | 14 | G ½ | 13.7 | NPT ½ | 13.2 | Rc ½ | 58 | 27 |
| 13 | 120.35 | 133.85 | 32.5  | 14 | G ½ | 13.7 | NPT ½ | 13.2 | Rc ½ | 65 | 27 |
| 13 | 122.35 | 138.35 | 32.5  | 16 | G ¾ | 14   | NPT ¾ | 14.5 | Rc ¾ | 65 | 32 |

## Ordering chart Steam version NA67

Other versions on request

| Circuit function                         | Port connection | Orifice [mm] | K <sub>v</sub> value water (m <sup>3</sup> /h) | Max. medium pressure [bar] steam | Coil size [mm] | Article no. acc. to voltage/frequency [V/Hz] |        |
|--|-----------------|--------------|--|----------------------------------|----------------|--|--------|
|  |                 |              |  |                                  |                | 24/50  | 230/50 |
| <b>Brass body, seal material FKM/FKM</b> |                 |              |  |                                  |                |  |        |
| NC                                       | G ½             | 13.0         | 4  | 0-4                              | 42             | 315069                                       | 244912 |
|  | G ¾             | 13.0         | 4  | 0-4                              | 42             | 315072                                       | 244915 |

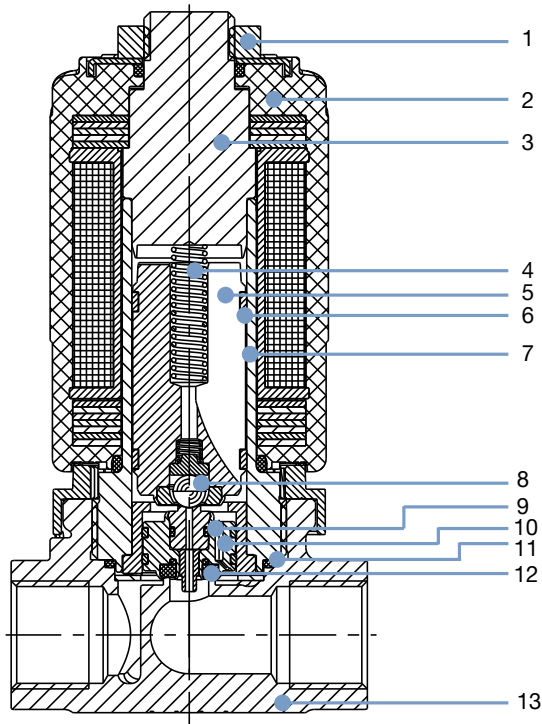
Other versions with alternative voltages, NPT or RC connections are available on request.

| Circuit function                                   | Port connection | Orifice [mm] | K <sub>v</sub> value water (m <sup>3</sup> /h) | Max. medium pressure [bar] steam | Coil size [mm] | Article no. acc. to voltage/frequency [V/Hz] |        |
|--|-----------------|--------------|--|----------------------------------|----------------|--|--------|
|  |                 |              |  |                                  |                | 24/50  | 230/50 |
| <b>Stainless steel body, seal material FKM/FKM</b> |                 |              |  |                                  |                |  |        |
| NC   | G ½             | 13.0         | 4  | 0-4                              | 42             | 323434                                       | 323436 |
|  | G ¾             | 13.0         | 4  | 0-4                              | 42             | 323437                                       | 323438 |

Other versions with alternative voltages, NPT or RC connections are available on request.

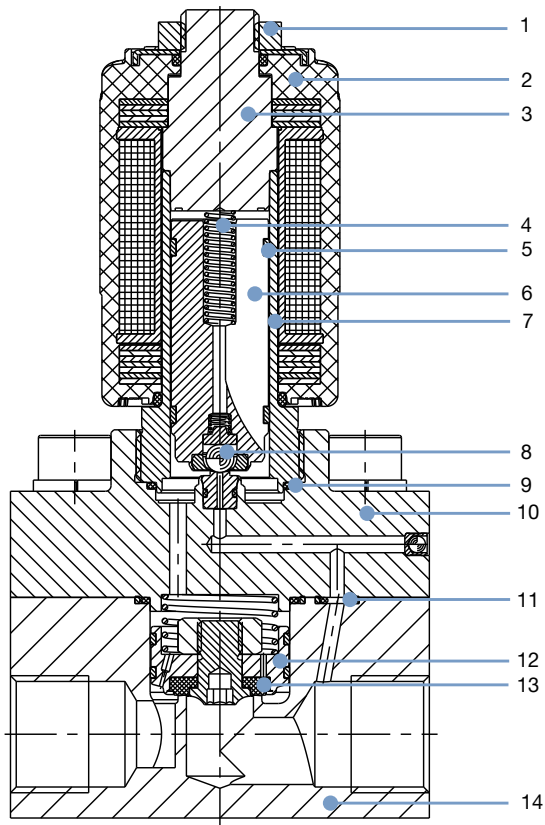
## High pressure version MX31 & MX32

### Materials DN6



| No. | Element         | Material                       |
|-----|-----------------|--------------------------------|
| 1   | Nut             | 1.4305                         |
| 2   | Coil            | Epoxy                          |
| 3   | Stopper         | 1.4523                         |
| 4   | Spring          | 1.4310                         |
| 5   | Core coupling   | 1.4113, 1.4305                 |
| 6   | Glide ring      | PTFE coal-filled               |
| 7   | Guide tube      | 1.4571                         |
| 8   | Core seal       | Ceramic ball                   |
| 9   | Piston coupling | 1.4305, PEEK, PTFE coal-filled |
| 10  | Piston guide    | 1.4305                         |
| 11  | Seal            | FKM, EPDM                      |
| 12  | Seat seal       | PCTFE                          |
| 13  | Body            | Stainless steel 1.4404         |

## Materials DN12

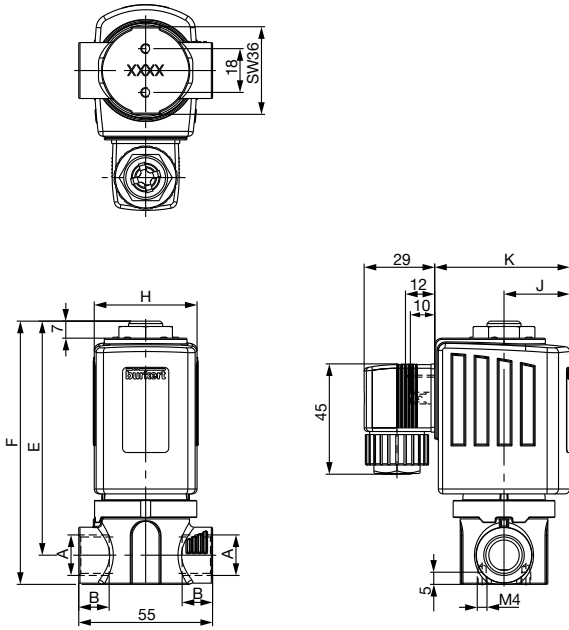


| No. | Element         | Material                               |
|-----|-----------------|--|
| 1   | Nut             | 1.4305 PTFE coated                     |
| 2   | Coil            | Epoxy                                  |
| 3   | Stopper         | 1.4523                                 |
| 4   | Spring          | 1.4310                                 |
| 5   | Glide ring      | PTFE coal-filled                       |
| 6   | Core coupling   | 1.4113, 1.4305                         |
| 7   | Guide tube      | 1.4571                                 |
| 8   | Core seal       | Ceramic ball                           |
| 9   | Outer seal      | FKM, EPDM                              |
| 10  | Flange coupling | Stainless steel 1.4404, PEEK, FKM/EPDM |
| 11  | Outer seal      | FKM, EPDM                              |
| 12  | Piston coupling | 1.4305, PTFE coal-filled               |
| 13  | Seat seal       | PCTFE                                  |
| 14  | Body            | Stainless steel 1.4404                 |



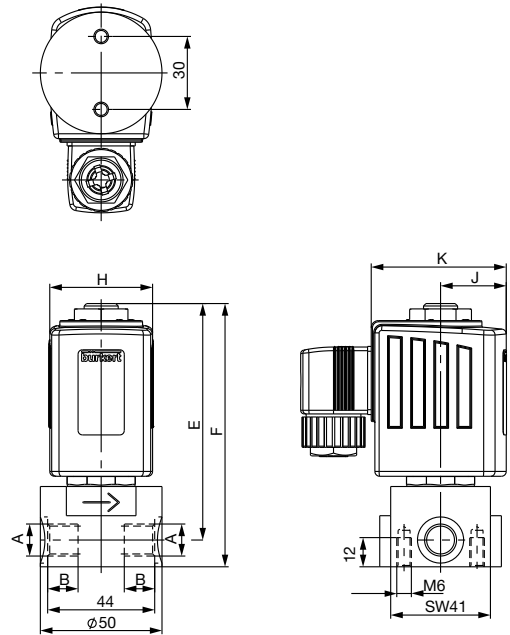
Dimensions DN6 [mm]

MX31



| Coil size | H  | J    | K    |
|-----------|----|------|------|
| K         | 42 | 27   | 55.5 |
| L         | 65 | 37.5 | 72   |

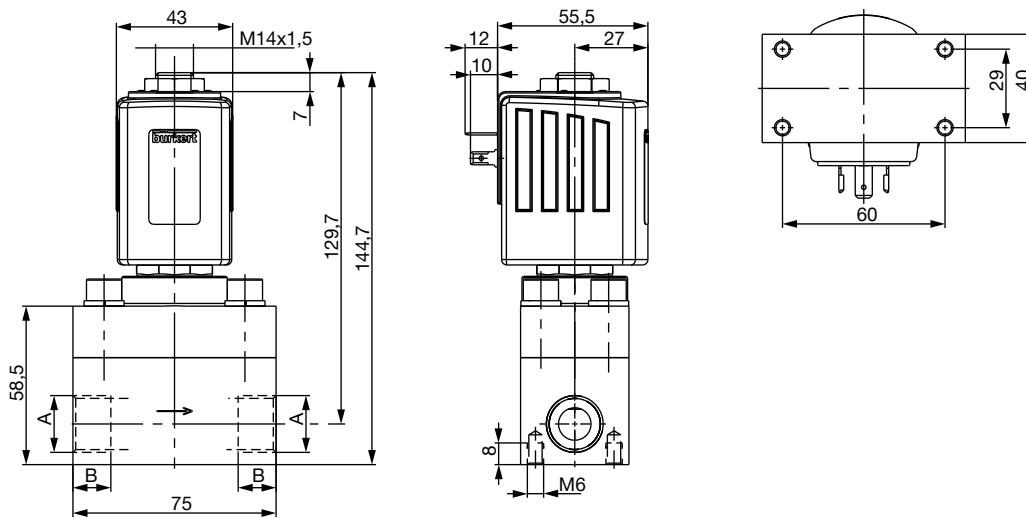
MX32



| A     | B    | E    | F     |
|-------|------|------|-------|
| G ¼   | 13   | 95.2 | 105.2 |
| NPT ¼ | 10   | 95.2 | 105.2 |
| G ⅜   | 12   | 96.2 | 108.2 |
| NPT ⅜ | 10.3 | 96.2 | 108.2 |

| A     | B    | E    | F     |
|-------|------|------|-------|
| G ¼   | 13   | 97.2 | 108.2 |
| NPT ¼ | 10   | 97.2 | 108.2 |
| G ⅜   | 12   | 98.7 | 111.2 |
| NPT ⅜ | 10.3 | 98.7 | 111.2 |

## Dimensions DN12 [mm]



| A     | B    |
|-------|------|
| G ½   | 14   |
| NPT ½ | 13.7 |

## Ordering chart High pressure version DN6 - pressure rating up to 160 bar (MX31)

Other versions on request

| Circuit function   | Port connection | Orifice [mm] | K <sub>v</sub> value water (m <sup>3</sup> /h) | Max. differential pressure [bar] |       |      |      |       |       | Coil size [mm] | Article no. acc. to voltage/frequency [V/Hz] |        |        |
|--|-----------------|--------------|--|----------------------------------|-------|------|------|-------|-------|----------------|--|--------|--------|
|  |                 |              |  | water                            |       | oil  |      | air   |       |                | 24/DC  | 24/AC  | 230/AC |
|  |                 |              |  | DC                               | AC    | DC   | AC   | DC    | AC    |                |  |        |        |
| <b>Stainless steel body, G internal thread, cable head with integrated rectifier for AC included in delivery</b> |                 |              |  |                                  |       |      |      |       |       |                |  |        |        |
| NC   | G ¼             | 6.0          | 0.75   | 1-100                            | 1-100 | 1-80 | 1-80 | 1-100 | 1-100 | 42             | 300602                                       | -      | 300603 |
|  |                 |              |  | -                                | 1-90  | -    | 1-60 | -     | 1-90  | 42             | -  | 318327 | -      |
|  | G ⅜             | 6.0          | 0.75   | 1-120                            | 1-120 | 1-80 | 1-80 | 1-120 | 1-120 | 42             | 323476                                       | -      | 323477 |
|  |                 |              |  | -                                | 1-90  | -    | 1-60 | -     | 1-90  | 42             | -  | 323478 | -      |

Other versions with alternative voltages, NPT or RC internal thread, seal material PCTFE/EPDM available on request.

## Ordering chart High pressure version DN6 - pressure rating up to 250 bar (MX32)

| Circuit function                               | Port connection | Orifice [mm] | K <sub>v</sub> value water (m <sup>3</sup> /h) | Max. differential pressure [bar] |               |       |               |       |               | Coil size [mm] | Article no. acc. to voltage/frequency [V/Hz] |                  |                   |
|--|-----------------|--------------|--|----------------------------------|---------------|-------|---------------|-------|---------------|----------------|--|------------------|-------------------|
|  |                 |              |  | water                            |               | oil   |               | air   |               |                | 24/DC  | KD-Coil 24 AC/DC | KD-Coil 230 AC/DC |
|  |                 |              |  | DC                               | KD-Coil AC/DC | DC    | KD-Coil AC/DC | DC    | KD-Coil AC/DC |                |  |                  |                   |
| <b>Stainless steel body, G internal thread</b> |                 |              |  |                                  |               |       |               |       |               |                |  |                  |                   |
| NC   | G ¼             | 6.0          | 0.75   | 1-230                            | -             | 1-200 | -             | 1-250 | -             | 65             | 319700                                       | -                | -                 |
|  |                 |              |  | -                                | 1-230         | -     | 1-200         | -     | 1-250         | 42             | -  | 323479           | 323480            |
|  | G ⅜             | 6.0          | 0.75   | 1-230                            | -             | 1-200 | -             | 1-250 | -             | 65             | 323481                                       | -                | -                 |
|  |                 |              |  | -                                | 1-230         | -     | 1-200         | -     | 1-250         | 42             | -  | 323482           | 323483            |

Other versions with alternative voltages, NPT or RC internal thread, seal material PCTFE/EPDM available on request.

**Note:**

KD-coil (Kick and Drop) contains integrated electronics for short-term power increase and decrease in double-coil technology.

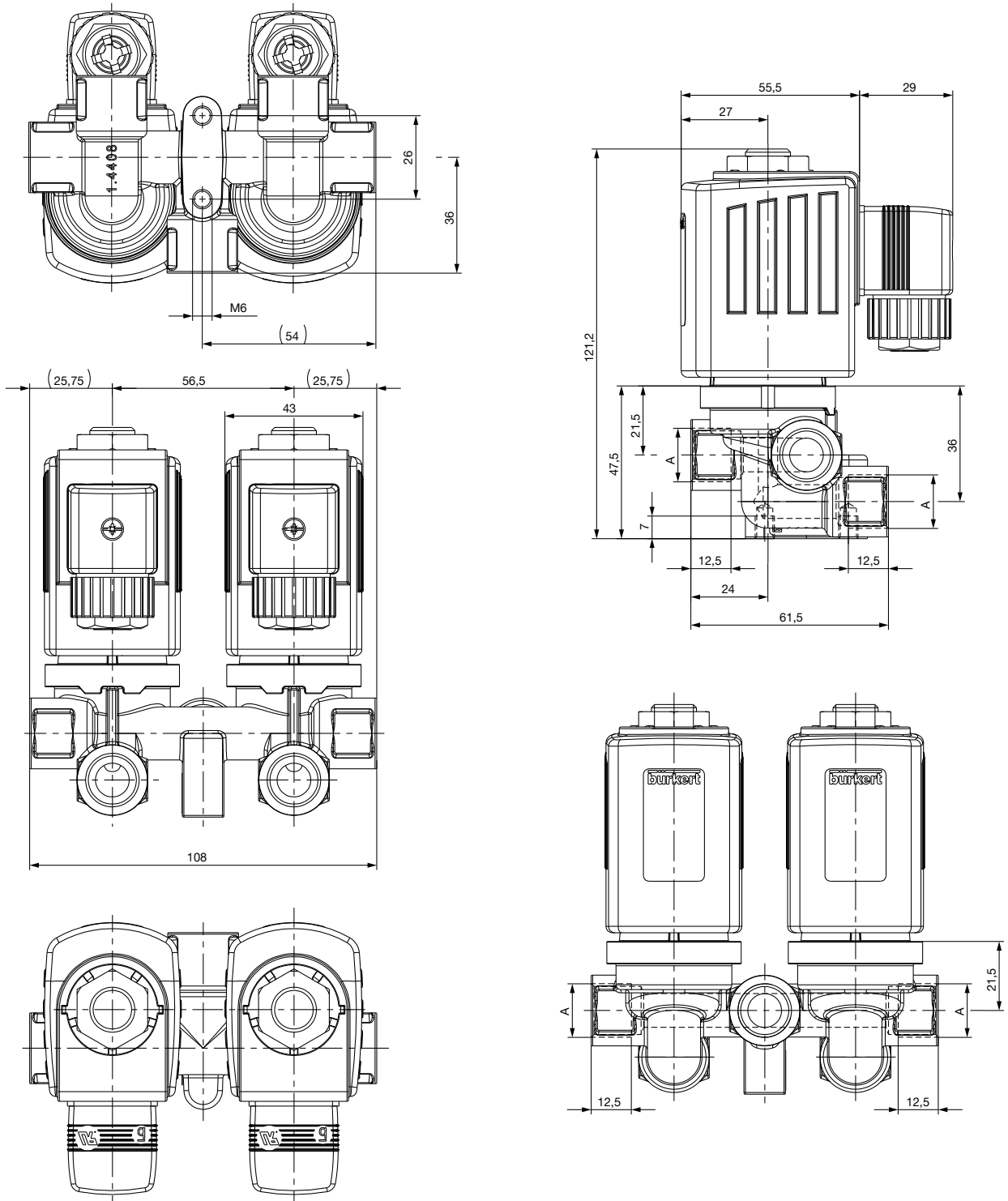
## Ordering chart High pressure version DN12 - pressure rating up to 250 bar (MX32)

| Circuit function   | Port connection | Orifice [mm] | K <sub>v</sub> value water (m <sup>3</sup> /h) | Max. differential pressure [bar] |       |       |       |       |       | Coil size [mm] | Article no. acc. to voltage/frequency [V/Hz] |        |        |
|--|-----------------|--------------|--|----------------------------------|-------|-------|-------|-------|-------|----------------|--|--------|--------|
|  |                 |              |  | water                            |       | oil   |       | air   |       |                | 24/DC  | 24/AC  | 230/AC |
|  |                 |              |  | DC                               | AC    | DC    | AC    | DC    | AC    |                |  |        |        |
| <b>Stainless steel body, G internal thread, cable head with integrated rectifier for AC included in delivery</b> |                 |              |  |                                  |       |       |       |       |       |                |  |        |        |
| NC   | G ½             | 12.0         | 2.2  | 1-250                            | 1-250 | 1-250 | 1-250 | 1-250 | 1-250 | 42             | 312895                                       | -      | 314877 |
|  |                 |              |  | 1-250                            | 1-250 | 1-200 | 1-200 | 1-250 | 1-250 | 42             | -  | 323484 | -      |
| NO   | G ½             | 12.0         | 2.2  | 1-200                            | 1-200 | 1-150 | 1-150 | 1-250 | 1-250 | 42             | 314875                                       | 323485 | 323486 |

Other versions with alternative voltages, NPT or RC internal thread, seal material PCTFE/EPDM available on request.

Block solution for car wash applications 8820-6240





Dimensions solution for self-service car wash 160 bar (MX31)



| Version | A   |
|---------|-----|
| AH40    | G ¼ |
| AH37    | G ⅜ |

## Ordering chart solution for self-service car wash 160 bar (MX31)

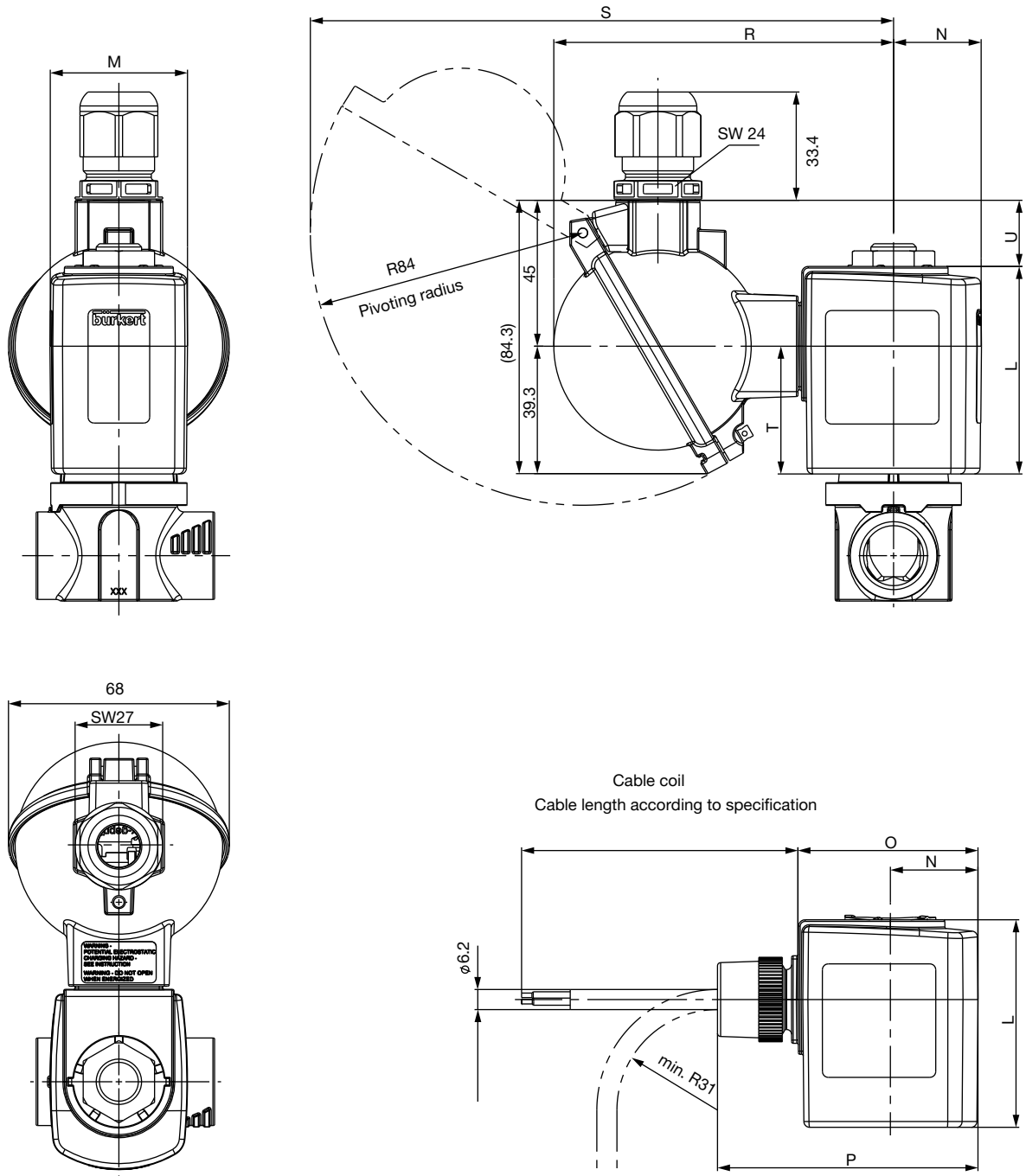
Other versions on request

| Circuit function   | Port connection | Orifice single valve [mm] | K <sub>v</sub> value water single valve (m <sup>3</sup> /h) | max. differential pressure [bar] |       | Coil size [mm] | Article no. acc. to voltage/frequency [V/Hz]   |  |
|--|-----------------|---------------------------|---|----------------------------------|-------|----------------|--|--|
|  |                 |                           |   | DC                               | AC    |                | 24/DC  | 230/AC   |
| <b>Stainless steel body, G internal thread, cable head with integrated rectifier for AC included in delivery</b> |                 |                           |   |                                  |       |                |  |  |
| NC   | G ¼             | 6.0                       | 0.75  | 1-120                            | 1-120 | 42             | 333330  | 333331  |
|  | G ⅜             | 6.0                       | 0.75  | 1-120                            | 1-120 | 42             | 312702  | 320736  |

Other versions with alternative voltages, NPT or RC internal thread on request.

ATEX-IECEx version PX23, PX38 & PX39

Dimensions PX23, PX38 & PX39 version [mm]



| Coil size | M  | N    | O    | P    | L    | R     | S     | T    | U    |
|-----------|----|------|------|------|------|-------|-------|------|------|
| 6         | 40 | 23.5 | 52   | 74.8 | 41.3 | 102.8 | 177.5 | 26   | 29.7 |
| K         | 42 | 27   | 55.5 | 80.3 | 64   | 104.8 | 179.8 | 39.4 | 20.4 |
| L         | 65 | 37.5 | 72   | 97   | 64   | 110.8 | 185.8 | 39.4 | 20.4 |

## Ordering chart Standard version – ATEX/IECEX with 3 m cable

Other versions on request

| Circuit function                                | Port connection             | Orifice [mm] | K <sub>v</sub> value water (m <sup>3</sup> /h) | Pressure range [bar] | Coil size [mm] | Article no. acc. to voltage/frequency [V/Hz] |            |
|---|-----------------------------|--------------|--|----------------------|----------------|--|------------|
|   |                             |              |  |                      |                | 24 AC/DC                                     | 230 AC/DC  |
| <b>G internal thread, seal material FKM/FKM</b> |                             |              |  |                      |                |  |            |
| <b>A</b><br>2/2 way valve NC                    | <b>Brass body</b>           |              |  |                      |                |  |            |
|   | G ¼                         | 6.0          | 0.6  | 0-16                 | 40             | 278716                                       | 278717     |
|   | G ¾                         | 6.0          | 0.6  | 0-16                 | 40             | 309943                                       | 278720     |
|   | <b>Stainless steel body</b> |              |  |                      |                |  |            |
|   | G ¼                         | 6.0          | 0.6  | 0-16                 | 40             | 278718                                       | 278719     |
|   | G ¾                         | 6.0          | 0.6  | 0-16                 | 40             | 278721                                       | on request |
|   | G ½                         | 12.0         | 2.2  | 0-8                  | 42             | 298643                                       | 298644     |
| G ½   | 12.0                        | 2.2          | 0-16   | 65                   | 312997         | 312998                                       |            |

Other versions with alternative voltages, NPT or RC internal thread, seal material EPDM/EPDM available on request.

## Ordering chart High pressure version – ATEX/IECEX with 3 m cable

| Circuit function  | Port connection                     | Orifice [mm] | K <sub>v</sub> value water (m <sup>3</sup> /h) | max. Differential pressure [bar] |       |       | Coil size [mm] | Article no. acc. to voltage/frequency [V/Hz] |            |
|---|-------------------------------------|--------------|--|----------------------------------|-------|-------|----------------|--|------------|
|   |                                     |              |  | water                            | oil   | air   |                | 24 AC/DC                                     | 230 AC/DC  |
| <b>G internal thread, stainless steel body, seal material PCTFE/FKM</b> |                                     |              |  |                                  |       |       |                |  |            |
| <b>A</b><br>2/2 way valve NC  | <b>Pressure range up to 160 bar</b> |              |  |                                  |       |       |                |  |            |
|   | G ¼                                 | 6.0          | 0.6  | 1-160                            | 1-120 | 1-160 | 65             | 323487                                       | on request |
|   | G ¾                                 | 6.0          | 0.6  | 1-160                            | 1-120 | 1-160 | 65             | 323489                                       | on request |
|   | <b>Pressure range up to 250 bar</b> |              |  |                                  |       |       |                |  |            |
|   | G ½                                 | 12.0         | 2.2  | 1-200                            | 1-150 | 1-250 | 42             | 323491                                       | 314879     |
|   | G ½                                 | 12.0         | 2.2  | 1-250                            | 1-250 | 1-250 | 65             | 323492                                       | 314883     |
| <b>B</b><br>2/2 way valve NO  | G ½                                 | 12.0         | 2.2  | 1-200                            | 1-150 | 1-250 | 65             | on request                                   | on request |

Other versions with alternative voltages, NPT or RC internal thread, seal material PCTFE/EPDM available on request.

## Ordering chart Standard version – ATEX/IECEX terminal box

Other versions on request

| Circuit function                                       | Port connection             | Orifice [mm] | K <sub>v</sub> value water (m <sup>3</sup> /h) | Pressure range [bar] | Coil size [mm] | Article no. acc. to voltage/frequency [V/Hz] |            |
|--|-----------------------------|--------------|--|----------------------|----------------|--|------------|
|  |                             |              |  |                      |                | 24 AC/DC                                     | 230 AC/DC  |
| <b>G internal thread, stainless steel body FKM/FKM</b> |                             |              |  |                      |                |  |            |
| <b>A</b><br>2/2 way valve NC                           | <b>Brass body</b>           |              |  |                      |                |  |            |
|  | G ¼                         | 6.0          | 0.6  | 0-16                 | 40             | 288608                                       | 288610     |
|  | G ¾                         | 6.0          | 0.6  | 0-16                 | 40             | on request                                   | 295781     |
|  | <b>Stainless steel body</b> |              |  |                      |                |  |            |
|  | G ¼                         | 6.0          | 0.6  | 0-16                 | 40             | on request                                   | on request |
|  | G ¾                         | 6.0          | 0.6  | 0-16                 | 40             | 288612                                       | 288611     |
|  | G ½                         | 12.0         | 2.2  | 0-8                  | 42             | 313002                                       | 313004     |
| G ½  | 12.0                        | 2.2          | 0-16   | 65                   | 313005         | 313006                                       |            |

Other versions with alternative voltages, NPT or RC internal thread, seal material EPDM/EPDM available on request.

## Ordering chart High pressure version – ATEX/IECEx terminal box

| Circuit function  | Port connection | Orifice [mm] | K <sub>v</sub> value water (m <sup>3</sup> /h) | max. Differential pressure [bar] |       |       | Coil size [mm] | Article no. acc. to voltage/frequency [V/Hz] |            |
|---|-----------------|--------------|--|----------------------------------|-------|-------|----------------|--|------------|
|   |                 |              |  | water                            | oil   | air   |                | 24 AC/DC                                     | 230 AC/DC  |
| <b>G internal thread, stainless steel body, seal material PCTFE/FKM</b> |                 |              |  |                                  |       |       |                |  |            |
| <b>A</b>  |                 |              |  |                                  |       |       |                |  |            |
| Pressure range up to 160 bar  |                 |              |  |                                  |       |       |                |  |            |
| 2/2 way valve NC  | G ¼             | 6.0          | 0.6  | 1-160                            | 1-120 | 1-160 | 65             | 323488                                       | on request |
|   | G ⅜             | 6.0          | 0.6  | 1-160                            | 1-120 | 1-160 | 65             | 323490                                       | on request |
| Pressure range up to 250 bar  |                 |              |  |                                  |       |       |                |  |            |
|   | G ½             | 12.0         | 2.2  | 1-200                            | 1-150 | 1-250 | 42             | 314886                                       | on request |
|   | G ½             | 12.0         | 2.2  | 1-250                            | 1-250 | 1-250 | 65             | 323493                                       | on request |
|   | G ½             | 12.0         | 2.2  | 1-200                            | 1-150 | 1-250 | 65             | 314890                                       | on request |
| <b>B</b>  |                 |              |  |                                  |       |       |                |  |            |
| 2/2 way valve NO  | G ½             | 12.0         | 2.2  | 1-200                            | 1-150 | 1-250 | 65             | 314890                                       | on request |

Other versions with alternative voltages, NPT or RC internal thread, seal material PCTFE/EPDM available on request.

### **i** Further versions on request

**Materials**

Seal: EPDM

**Voltage**

042/50, 110/50, 240/50

**Port Connection**

NPT, Stainless steel version with G ⅜ connection


**Approvals**

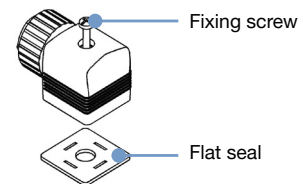
Gas transportation DIN EN 3394-1  
 UL(UL-listed)  
 UR(UL-recognized)  
 FDA(Food and Drug Administration)  
 Versions for oxygen applications

## Ordering chart for accessories

## Cable plug Type 2508 according to DIN EN 175301-803 Form A


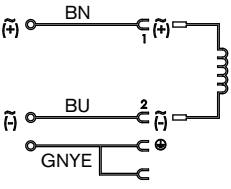
The delivery of a cable plug includes the flat seal and the fixing screw. For other versions of cable plugs see data sheet Type 2508

|   | Circuitry                                | Voltage / frequency | Article no. |
|---|--|---------------------|-------------|
|  | None (standard)                          | 0-250 V AC/DC       | 008376      |
|   | with LED                                 | 12-24 V AC/DC       | 008360      |
|   | with LED and varistor                    | 12-24 V AC/DC       | 008367      |
|   | with rectifier, LED and varistor         | 12-24 V AC/DC       | 008363      |
|   | with LED                                 | 200-240 V           | 008362      |
|   | with LED and varistor                    | 200-240 V           | 008369      |
|   | further versions see datasheet Type 2508 |                     |             |



## Cable plug Type 2513 acc. to DIN EN 175301-803, Form A



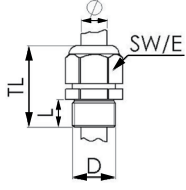


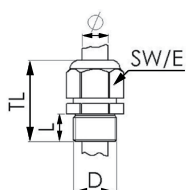
Meets the requirements of ATEX category 3 GD

|  |  | Cable length [mm] | Article no. [in mm] |
|---|---|-------------------|---------------------|
|   |   | 12000             | 260893              |
| 5000  | 260892  |                   |                     |
| 3000  | 260891  |                   |                     |
| 300   | 260890  |                   |                     |



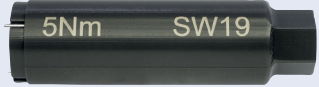

**Ex-Cable glands**

polyamide version included in delivery / surcharge applied for brass nickel plated version

| Photo   | Description                        | Ex-Zulassung                              |  | Article no.  | Drawing   |    |          |   |       |   |    |    |       |   |       |
|---|------------------------------------|---|--|--|---|----|----------|---|-------|---|----|----|-------|---|-------|
|   |                                    | Certification                             | Identification                                   |  |   |    |          |   |       |   |    |    |       |   |       |
|  | Brass.<br>nickelplated,<br>6-13 mm | IECEX PTB 13.0027X,<br>PTB 04 ATEX 1112 X | II 2 D Ex tb IIIC Db IP68,<br>II 2 G Ex e IIC Gb | 773278  |  <table border="1"> <tr><td>TL</td><td>29-37 mm</td></tr> <tr><td>L</td><td>6 mm</td></tr> <tr><td>D</td><td>20</td></tr> <tr><td>SW</td><td>24 mm</td></tr> <tr><td>E</td><td>27 mm</td></tr> </table>  | TL | 29-37 mm | L | 6 mm  | D | 20 | SW | 24 mm | E | 27 mm |
| TL  | 29-37 mm                           |   |  |  |   |    |          |   |       |   |    |    |       |   |       |
| L   | 6 mm                               |   |  |  |   |    |          |   |       |   |    |    |       |   |       |
| D   | 20                                 |   |  |  |   |    |          |   |       |   |    |    |       |   |       |
| SW  | 24 mm                              |   |  |  |   |    |          |   |       |   |    |    |       |   |       |
| E   | 27 mm                              |   |  |  |   |    |          |   |       |   |    |    |       |   |       |
|  | Polyamide,<br>7-13 mm              | PTB 13 ATEX 1015 X,<br>IECEX PTB 13.0034X | II 2 G Ex e IIC Gb,<br>II 2 D Ex tb IIIC Db IP68 | 773277  |  <table border="1"> <tr><td>TL</td><td>36-45 mm</td></tr> <tr><td>L</td><td>10 mm</td></tr> <tr><td>D</td><td>20</td></tr> <tr><td>SW</td><td>24 mm</td></tr> <tr><td>E</td><td>28 mm</td></tr> </table> | TL | 36-45 mm | L | 10 mm | D | 20 | SW | 24 mm | E | 28 mm |
| TL  | 36-45 mm                           |   |  |  |   |    |          |   |       |   |    |    |       |   |       |
| L   | 10 mm                              |   |  |  |   |    |          |   |       |   |    |    |       |   |       |
| D   | 20                                 |   |  |  |   |    |          |   |       |   |    |    |       |   |       |
| SW  | 24 mm                              |   |  |  |   |    |          |   |       |   |    |    |       |   |       |
| E   | 28 mm                              |   |  |  |   |    |          |   |       |   |    |    |       |   |       |

**Special tool to turn the junction box**

not included in delivery

| Photo  | Description                                       | Article no.  |
|--|---|--|
|  | Set SC02-AC10<br>Special wrench<br>Service Manual | 293488  |

To find your nearest Bürkert office, click on the orange box →

[www.burkert.com](http://www.burkert.com)In case of special application conditions,  
please consult for advice.We reserve the right to make technical changes without notice.  
© Christian Bürkert GmbH & Co. KG

1810/19\_DE-de\_00895017