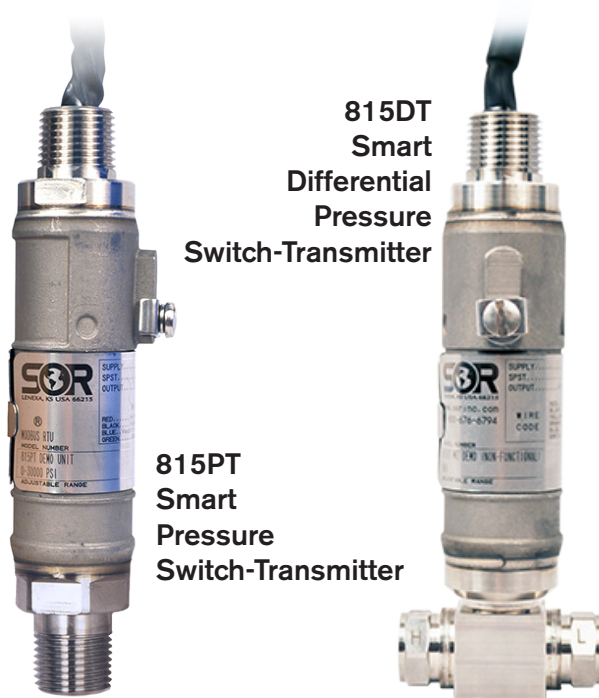


815 Smart Pressure Switch-Transmitters

The 815 smart pressure switch-transmitters are rugged, compact, loop-powered instruments that are ideally suited for hazardous locations and hostile environments where space is limited. The 815 offers many industry standard outputs to meet applications where low-cost, discrete and continuous monitoring is required or preferred. This versatile instrument may be used to safely monitor and control many process applications, but is specifically designed for upstream, midstream, and downstream oil & gas applications. Its stainless-steel construction and three-year warranty dramatically reduces the total cost of ownership.

The 815 is easily configured using HART[®]7 Communication Protocol and Modbus RTU Serial Communications; it is also very easy to set the zero and span set points with a magnet, as the zero and span magnetic targets are clearly identified on the casting. The SOR 815 is a feature rich, low cost, stick form-factor transmitter that sits at the top of its class.



**815DT
Smart
Differential
Pressure
Switch-Transmitter**

**815PT
Smart
Pressure
Switch-Transmitter**

Features

- HART[®]7 Communication Protocol with 4-20 mA Output
- 1-5 VDC (Low-Power) Mode of Operation
- Modbus RTU (RS-485) Serial Communications
- Configurable Normally-Open Solid-State Switch Output (SPST)
- $\pm 0.10\%$ (URL) Continuous Output Accuracy
- Zero Balance & URL: $\pm 0.25\%$ URL (Each)
- Compact, 316 Stainless-Steel, Explosion Proof Housing
- NACE MRO 175/ISO 15156 Certification option available
- Hermetically Sealed Leads
- Pressure Ranges: 0-5 psi to 0-30,000 psi for 815PT, 0-5 psid to 0-500 psid for 815DT
- Turndown: 5 to 1
- Zero and Span Magnetic Targets Located on Casting
- LCD Display option available
- EMC (EMI/RFI) Protection
- NEMA 4X, IP66 Housing
- FM and ATEX Certified for Hazardous Locations in U.S., Canada and Europe
- Dual Seal Approval
- 3-year Warranty

HART[®]
COMMUNICATION PROTOCOL



Product Specifications	
Continuous Output	
Accuracy	±0.10% URL (BFSL) (Linearity, Hysteresis and Repeatability)
Zero Balance & URL	±0.25% URL (Each)
Turndown	5:1
Output	4-20mA
	HART 7 Communications Protocol
	Modbus RTU (RS-485) Serial Communications
	1-5VDC (Low Power) Mode of Operation (36mW ± 5mW @ 10VDC)
Temperature Effect	±1% URL/100°F @ -40 to -176°F
Switch Output	
1: Off	
2: Windowed, Normally-Open	
3: Windowed, Normally-Closed	
4: Single Point, Normally-Open	
5: Single Point, Normally-Closed	
6: PWM (Pulse Width Modulation), Pulsed Low	
7: PWM (Pulse Width Modulation), Pulsed High	
8: Dead Band, Normally-Open	
9: Dead Band, Normally-Closed	
Accuracy	±0.25% URL
Type	Normally Open Solid State Relay (SPST)
Electrical Rating	30V, 120mA
Temperature Effect	±1% URL/100°F @ -40 to 176°F
Temperature Range	
Compensated	-40 to 176°F (-40 to 80°C)
Ambient	-40 to 176°F (-40 to 80°C)
Process	-40 to 194°F (-40 to 90°C)
Storage	-40 to 194°F (-40 to 90°C)
Long Term Stability	≤ ±0.5% URL per year
Response Time	≤ 70 ms
Supply Voltage	10-36VDC
Loop Resistance	667 ohms @ 24VDC
Circuit Protection	Reverse polarity and EMC (EMI/RFI) protected
Construction	316SS housing (CF8M)
Process Connection	
815PT	1/2" NPT(M) with 1/4" NPT(F) or Autoclave F250C (F) for 1/4" OD Tubing
815DT	(H & L side) 1/4" NPT(F)
Electrical Connection	
Size	1/2" NPT(M)
Termination	18 AWG shielded cable, 72-inch length
Wetted Materials	
815PT	316-SST (for 0-5 psi thru 0-100 psi & psia pressure ranges) 17-4SST (for pressure ranges above 0-100 psi)
815DT	316-SST
Max Static Line Pressure	
815DT	1,000 psi
Over Pressure	
815PT	
0-5 thru 0-100 psi	3 times FSPR
0-250 thru 0-10,000 psi	2 times FSPR
Up to 30,000 psi	1.4 times FSPR
815DT	3 times FSPR
Burst Pressure	
815PT	
0-5 thru 0-100 psi	4 times FSPR
0-250 psi	40 times FSPR
0-500 thru 0-1000 psi	20 times FSPR
0-2500 psi	10 times FSPR
0-5000 psi	8 times FSPR
0-10,000 thru 0-15,000 psi	4 times FSPR
0-30,000 psi	1.8 times FSPR
815DT	4 times FSPR
Weight	1.8 lb (0.8 kg)
Warranty	3 years

Design and specifications are subject to change without notice. For latest revision, see SORInc.com.

815 Smart Pressure Switch-Transmitter

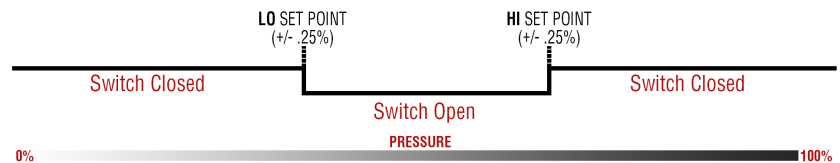
Switch Operation

The switch output of the 815 is a Normally Open Solid State Relay rated for 30V, 120mA. It can be configured 9 ways; as shown in the following diagrams. Switch set point(s) and continuous output zero and span points are set at the factory as specified by the customer.

In all nine configurations, the fail-safe state for the 815 switch output will be open (i.e., if power is removed from the 815, the switch contacts will open automatically).

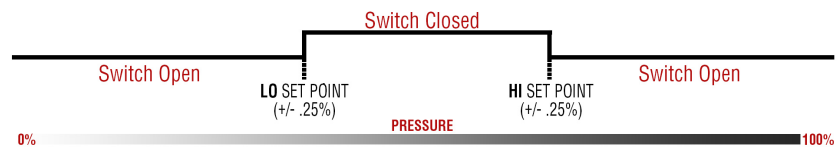
- ❶ Off
- ❷ Windowed, Normally-Open
- ❸ Windowed, Normally-Closed
- ❹ Single Point, Normally-Open
- ❺ Single Point, Normally-Closed
- ❻ PWM (Pulse Width Modulation), Pulsed Low
- ❼ PWM (Pulse Width Modulation), Pulsed High
- ❽ Dead Band, Normally-Open
- ❾ Dead Band, Normally-Closed

❷ Windowed, Normally-Open



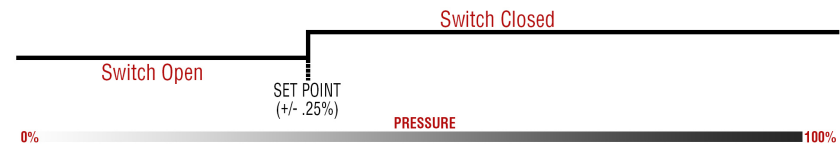
In this configuration, the switch output will be open when the process pressure is within a user selectable range and closed when the pressure is outside of these boundaries. This is designed for applications where there is a known acceptable operating pressure range.

❸ Windowed, Normally-Closed



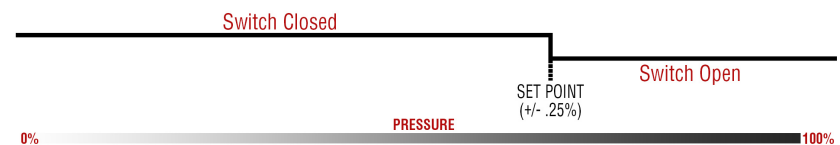
In this configuration, the switch output will be closed when the process pressure is within a user selectable range and open when the pressure is outside of these boundaries. This is designed for applications where there is a known acceptable operating pressure range.

❹ Single Point, Normally-Open (Close on Rise/ Open on Fall)



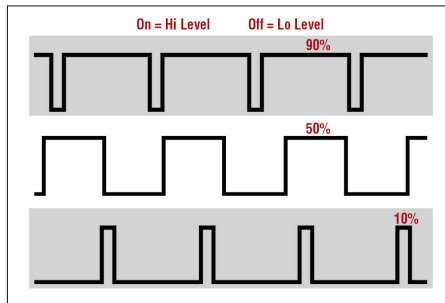
In this configuration, the switch output will be open for pressures less than the selected setpoint. The switch output would then be closed for pressures greater than the setpoint.

❺ Single Point, Normally-Closed (Open on Rise/ Close on Fall)

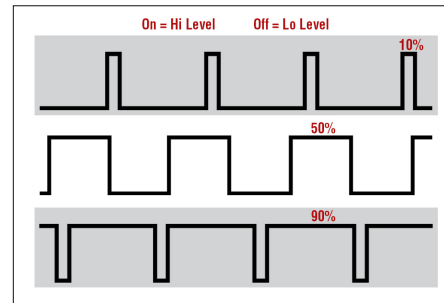


In this configuration, the switch output will be closed for pressures less than the selected setpoint. The switch output would then be open for pressures greater than the setpoint.

⑥ Pulse Width Modulation - Pulsed Lo



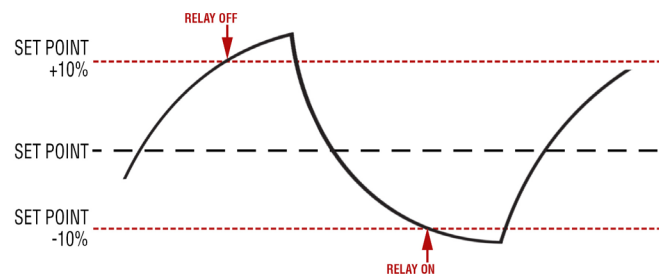
⑦ Pulse Width Modulation - Pulsed Hi



⑧ & ⑨ Dead Band

This diagram depicts an adjustable dead band. Dead band is the range through which an input can be varied without initiating an observable response. Dead band is usually expressed in percent of span.

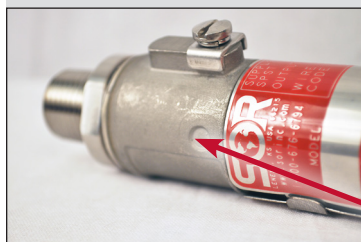
EXAMPLE: A 20% total dead band is applied to the setpoint of a monitored parameter. The relay will turn on and off as indicated in the graph above.



Note: The continuous zero and span points and the Switch Configuration Mode and set point(s) must be specified. Refer to switch configuration diagrams on page 3.

Example: 815PT-Z07-A-RR, which has a range of 0-2500 psi could be ordered with zero and span of 200 psi and 2300 psi. The window mode switch configuration could have a LO set point of 210 psi and a HI set point of 2290 psi.

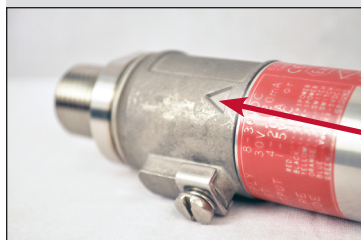
External Magnetic Zero & Span



The 815PT and 815DT can be easily configured externally with a magnet. Simply place a magnet to the targets located on the housing for 3 seconds and set the zero and span.

To set the Zero, simply follow the steps below:

- Step 1: Bring the pressure to the desired Zero value.
- Step 2: Place the magnet on the circle target located on the housing and hold for 3 seconds.
- Step 3: After zero value is set, remove the magnet.



To set the Span, follow the same steps except place the magnet on the triangle on the housing for 3 seconds. Using this method requires a power and a pressure source. Almost any magnet can be used, and SOR can provide the magnetic tool if needed.

815 Smart Pressure Switch-Transmitter

How to Order

How to Order

Below is the SOR quick select model number tree that provides you with all the options to configure and order a product for your application.

- You must select a designator for each component
- Reference tables, charts and additional information are provided throughout the catalog to help you make your selections, see pages noted in the tree.

Model		Range		Process Connection Size		Protocol/Output		Accessories	
1		3		4		2		5	
Smart Gauge Pressure Transmitter	815PT	0-5 psi	00	A	Stainless Steel, 1/2"NPT(M) with 1/4"NPT(F) Process Connection (316SS for ranges 0-100 psi and below, 17-4SS for ranges above 0-100 psi)	HART 7 and ModBus RTU	Z	IN	LCD Display for local indication (see page 6 for more information)
Smart Differential Pressure Transmitter	815DT	0-15 psi	01	S	316SS, 1/2"NPT(M) Flush-Mount, Liquid-Filled, Diaphragm Seal, Process Connection*	4-20 mA and 1-5 VDC		BB	Cleaned for industrial oxygen service
		0-50 psi	02	H	17-4SS, Autoclave F250C Female (For 1/4" OD Tubing), Process Connection**			DS	Dual Seal approval (FM)***
		0-100 psi	03	D	316SS, 1/4"NPT(F) Differential Process Connection (HI & LO side)			NC	Compliance to NACE Certification MR0 175/ISO 15156 (Only available with S process connection. Consult factory for other ranges.)
		0-250 psi	04					NM	INMETRO approved (not available for ranges 13-15)
		0-500 psi	05					PK	Pipe mounting kit
		0-1000 psi	06					RR	SS tag wired to housing with customer specified information
		0-2500 psi	07						Certificates
		0-5000 psi	08					C1	Calibration
		0-10000 psi	09					C2	Hydrostatic Pressure Test
		0-15000 psi	10					C3	Inspection Report
		0-30000 psi	11					C4	Compliance/Conformance
		0-15 psia	13					C8	Typical Material of Wetted Parts
		0-50 psia	14					D2	Manufacturer's Certification
		0-100 psia	15						
		815DT							
		0-138 in H ₂ O (0-5 psid)	21						
		0-415 in H ₂ O (0-15 psid)	22						
		0-50 psid	23						
		0-100 psid	24						
		0-300 psid	25						
		0-500 psid	26						

815PT- Z 07 - A - RR IN C1 Example Model No.

*Only available for Range options 04 thru 08

**For pressure Ranges above 0-10,000 psi (Range options 10 and 11)

***Dual Seal version is not hermetically sealed. Only available for Range options 00 thru 09

Design and specifications are subject to change without notice. For latest revision, see SORInc.com.

815 Smart Pressure Switch-Transmitter





Specifications

Agency Approvals

Approved*	Safety Method	Approval
FM (U.S. and Canada)	Explosion Proof Hazardous Locations	Class I, II, III; Division 1 Groups A-G; T5; Type 4X
	Non-incendive	Class I, II, III; Division 2 Groups A-G; T5; Type 4X
ATEX or INMETRO	Flameproof	II 2 G Ex d IIC T5 IP 66

* Product holds a Canadian Registration Number (CRN) in all provinces, only available for Range options 04 thru 09.

Process Connection Size

Designator	A	S	H	Alternate
Description	Stainless Steel, 1/2"NPT(M) with 1/4"NPT(F), Process Connection (316SS for ranges 0-100 psi and below) (17-4SS for ranges above 0-100 psi)	316SS, 1/2" NPT(M) flush-mount, liquid filled, diaphragm seal, Process Connection	17-4SS, Autoclave F250C Female (For 1/4" OD Tubing), Process Connection	If alternate process connection is required, please consult the factory.
Application	General applications with process materials not containing heavy particulates that could induce clogging of pressure port.	Use when applications contain dirty, sticky or high particulate process material such as paraffin.	Use for applications where pressures are greater than 10,000 psi, Standard NPT threads are not suitable at these high pressures.	SOR can provide many other process connections including: <ul style="list-style-type: none"> • Thread & port size adapters • Direct & remote mount diaphragm seals • Tri-clamp/sanitary fittings • Flanged • Other
				

LCD Display "IN" Option

The "IN" LCD display is a low cost option for when a simple local indication is needed. The "IN" option is provided with a 5-digit backlit loop powered LCD display enclosed in an explosion proof housing with terminal block connections inside. For configuring the display, push buttons are provided on the front of the housing. Configuration of the display and transmitter are done separately.



Display Specifications

Analog Signal	2 wire: 4-20mA	Instrument Connection	1/2" NPTF
Power Supply		Electrical Conduit Connection	3/4" NPTF
(with 800 series transmitter)	18-36 VDC	Housing Material	Die-casting Aluminum with chromating and chemically resistant paint
Permissible Temperature	-20 to +70°C	Window Material	Glass
Accuracy	≤0.1% F.S.	Housing Agency Approvals	FM (US and Canada) CSA ATEX IEC Ex d IP68
Digits	4 1/2 neg; 5 pos	Display Rotation	350°
Units	Blank, kPa, MPa, Pa, bar, mbar, psi, mH2O, mmH2O, cmH2O, mmHg, Torr, atm, kg, g, mg, N, kN, °C, °F, K, %RH, %VOL, PPM, %LEL, pH, m, cm, mm, inch, m/s, Ω (ohm), k Ω (kohm), mV, V, L/min, M3/hr	Weight (Display only)	≈2.0 lbs

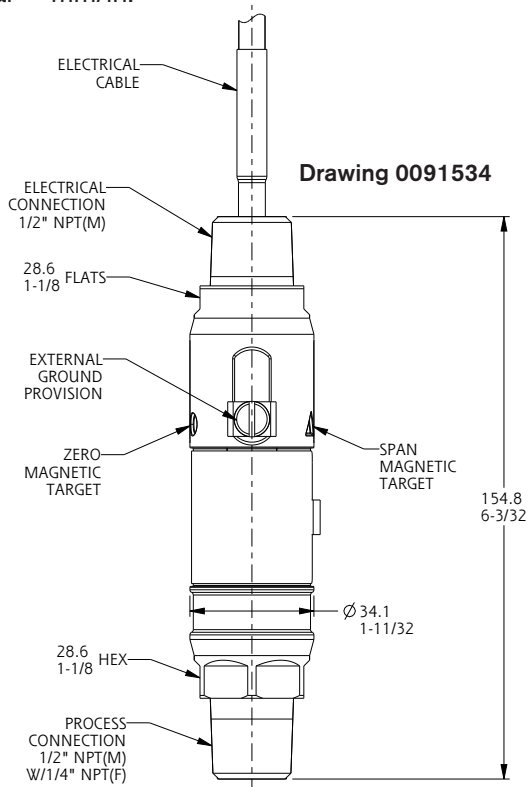
Display option can be sold separately without transmitter installed and will work with any 4-20mA two-wire device. Part number 9231526.

Design and specifications are subject to change without notice. For latest revision, see SORInc.com.

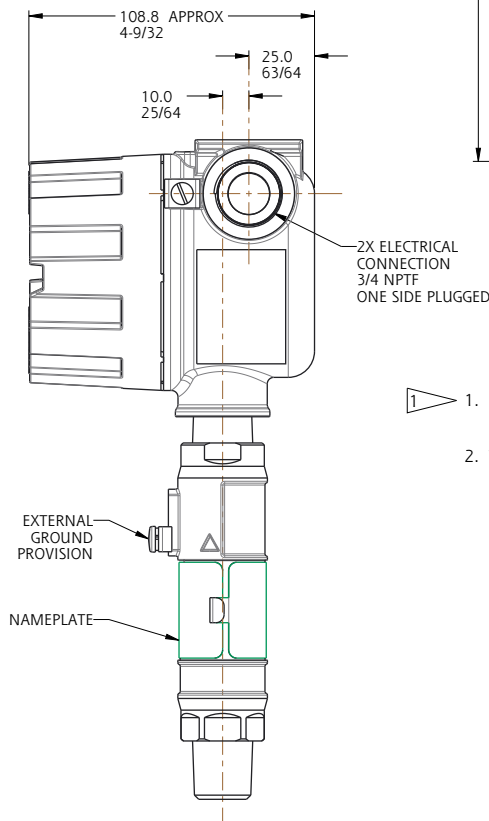
815 Smart Pressure Switch-Transmitter

Dimensions

Dimensions shown are for reference only. Contact the factory for certified dimension drawings.
Linear = mm/in.



815PT Smart Pressure Switch-Transmitter



Drawing 0098750

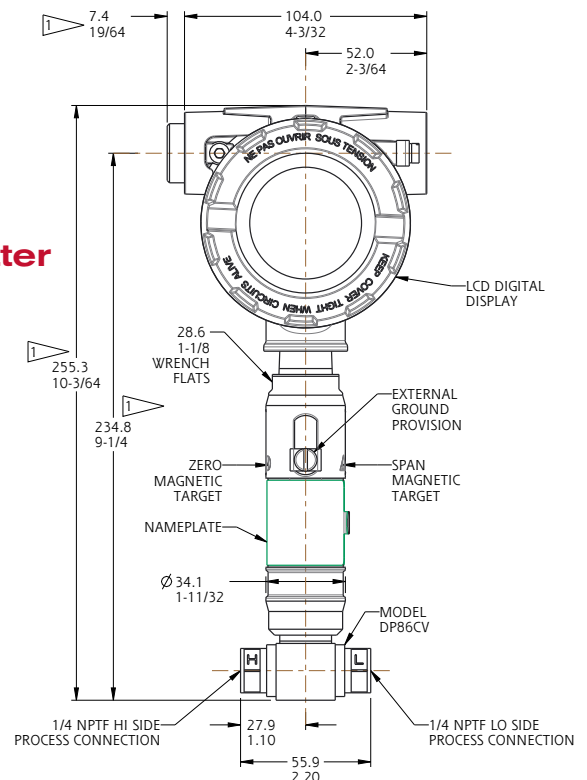
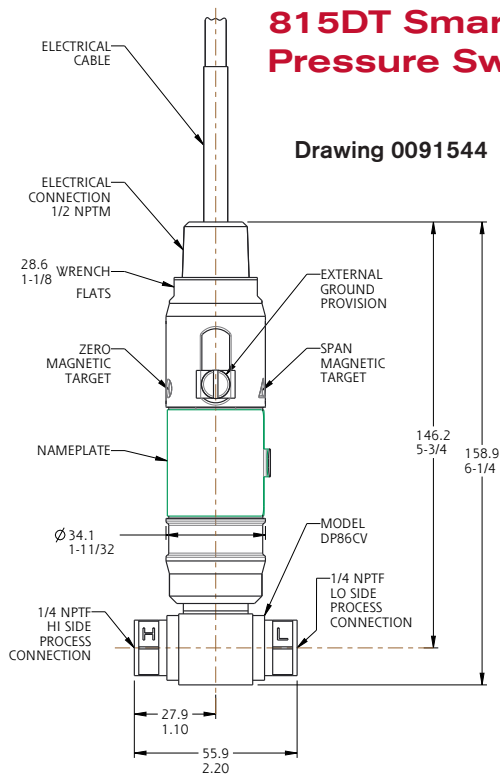
1. DIMENSION APPROXIMATE AND BASED ON A FIVE THREAD ENGAGEMENT.
2. TRANSMITTER ORIENTATION MAY VARY IN RELATION TO THE LCD DIGITAL DISPLAY. VARIATION WILL NOT AFFECT FUNCTIONALITY.

Design and specifications are subject to change without notice. For latest revision, see SORInc.com.

815 Smart Pressure Switch-Transmitter

Dimensions

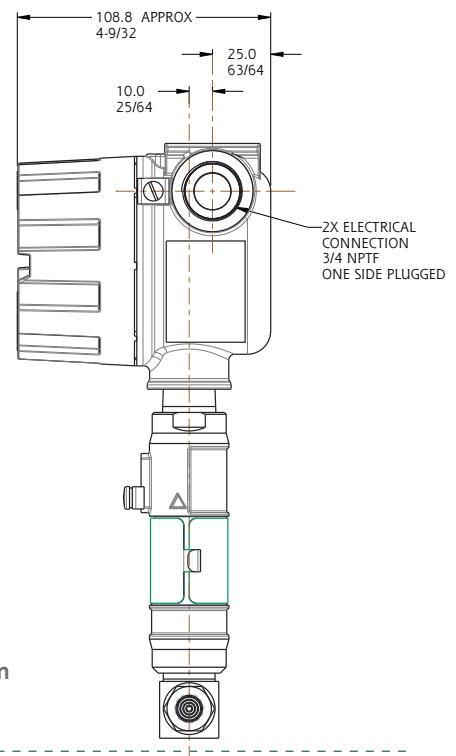
Dimensions shown are for reference only.
Contact the factory for certified dimension drawings.
Linear = mm/in.



NOTES:

1. DIMENSION APPROXIMATE AND BASED ON A FIVE THREAD ENGAGEMENT.
2. TRANSMITTER ORIENTATION MAY VARY IN RELATION TO THE LCD DIGITAL DISPLAY. VARIATION WILL NOT AFFECT FUNCTIONALITY.

Drawing 0098752



MEASUREMENT AND CONTROL

SOR Inc. | Lenexa, KS USA | 913-888-2630 | Fax 913-888-0767 | SORInc.com

REGIONAL OFFICES

China

SOR China | Beijing, China | china@SORInc.com
+86 (10) 5820 8767 | Fax +86 (10) 58 20 8770

Middle East

SOR Measurement & Control Equipment Trading DMCC | Dubai, UAE
middleeast@SORInc.com | +971 4 363 3637 | Fax +1 913 312 3596